

(1) Illustration		(2) Source, maint and recoverability code				(3)	(4)	(5)	(6)	(7) 15-day maint alw per 100 equip		(8)
(a) Fig. No.	(b) Item No.	(a) Material code	(b) Source	(c) Maintenance level	(d) Recoverability	Federal stock No.	Description	Unit of issue	Qty inc in unit	(a) Dir sup	(b) Gen sup	Depot maint guide per 100 equip
							<i>10—FRONT AXLE—Continued</i>					
							<i>1004—STEERING KNUCKLE AND UNIVERSAL JOINT (fig. 46)</i>					
46	2	---	C	F	---	2530-737-1108	CAP: w/king pin and lock pin, assy (7371108)	ea	4			
46	4	---	P	F	---	5305-576-6987	SCREW, CAP, HEXAGON: med-carb S, cd- or zn-pltd, 3/8-24UNF-2A x 1 1/2 (181643).	ea	16			
46	9	---	P	F	---	3110-100-3132	CONE, TAPERED ROLLER BEARING: mil-std-code 711-11590-3000 (includes rollers and cage) sr, steep angle, 0.6250 bore, 0.5625 w cap (705381).	ea	4			
46	10	---	P	F	---	3110-100-0509	CUP, TAPERED ROLLER BEARING: mil-std-code 711-11520-1000 sr, steep angle, 1.6875 od, 0.3750 w cap (706813).	ea	4			
46	11	---	C	F	---	3120-288-2911	WASHER: thrust, shaft to housing (7372870)	ea	2			
46	12	---	C	F	---	2530-040-2460	FLANGE: steering knuckle (right, w/arm assy) (8328398).	ea	1			
46	12	---	C	F	---	2530-040-2459	FLANGE: steering knuckle, left, w/arm, assy (8328397).	ea	1			
46	13	---	C	F	---	3120-737-5045	BEARING: bushing type, spindle (7375045)	ea	2			
46	15	---	C	F	---	2530-737-5048	SPINDLE: w/bearing, assy (7375048)	ea	2			
							<i>NONILLUSTRATED ITEMS</i>					
			C	F	---	5315-292-4752	PIN: universal joint center ball (7348762)	ea	2			
			P	F	---	5330-291-2791	SEAL: oil, type mw, 1 1/4 x 1.756 x 1/4 (shaft, outer) (500034).	ea	2			

Equipment Sales

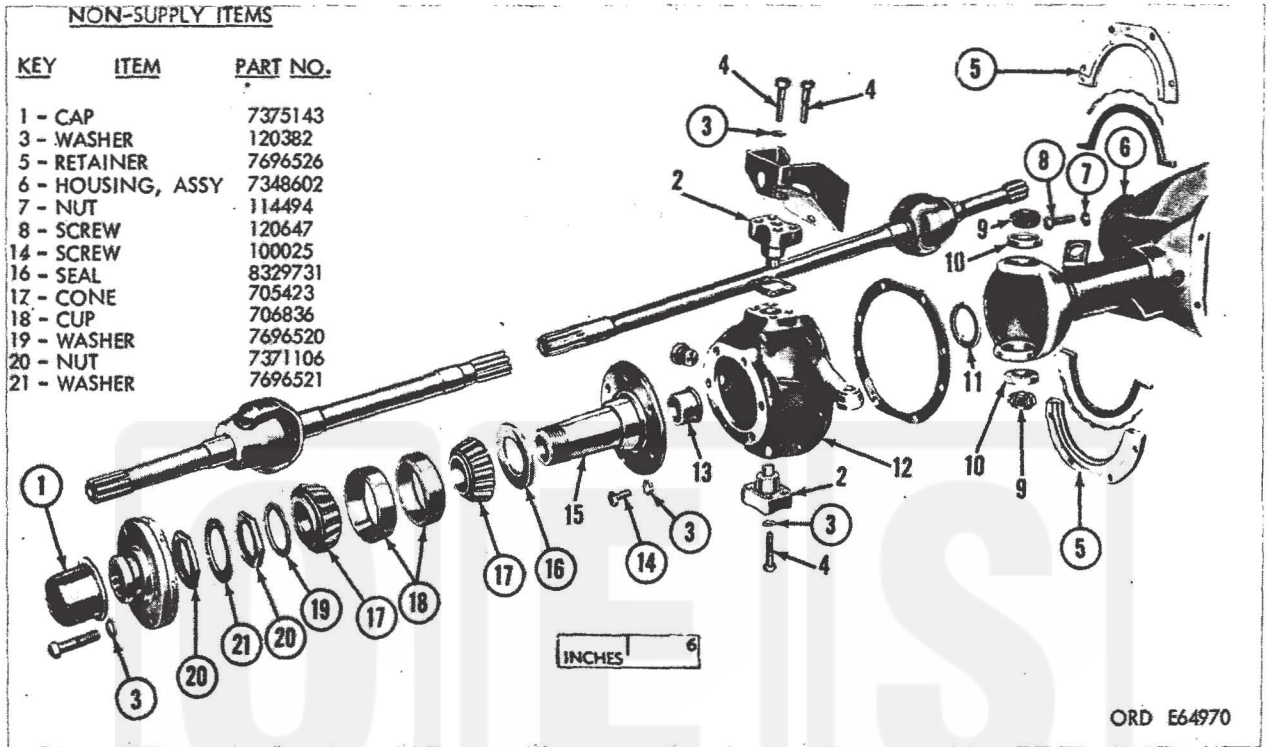


Figure 46. Steering knuckle and universal joint—exploded view.

Oshkosh
 Equipment Sales